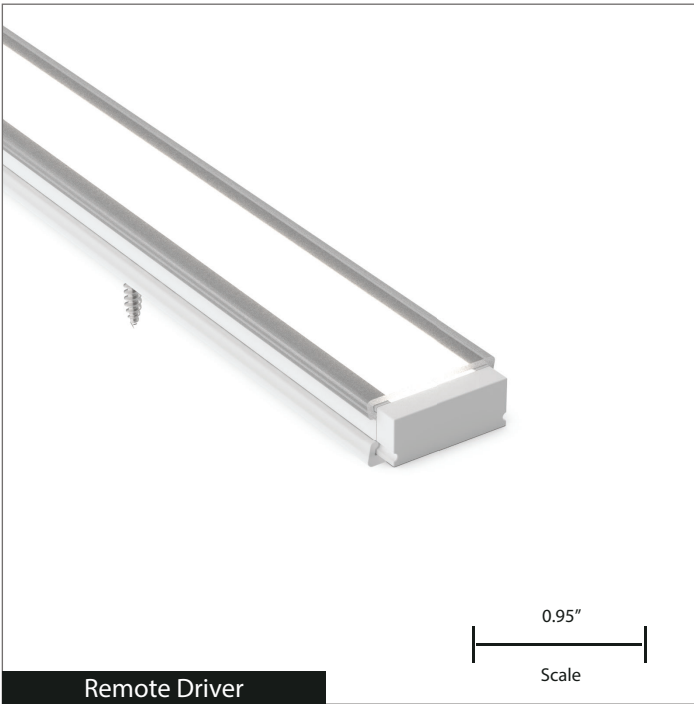


NANORail95

0.95" x 0.375" Low-Profile Ultra-Narrow Linear LED Fixture



Features & Benefits

Ultra-Narrow (0.95") with Exceptional Performance
0.95" x 0.375" form delivering up to 1,000 lm/ft, at >150 lm/W

Wide Range of LED Selections
Static White, Tunable White, Dim-to-Warm, and RGBW

Designed for Lighting Designers
Wide choice of beam distributions, 80/90/95+ CRI, 2200K to 5000K CCT, and 0-10V, DALI, DMX, and TRIAC dimming

Patented Innovations
SmartBeam® technology by Fusion Optix®

Expanded Range of Optical Components
Flatlens® and Cosine® optics plus EdgeTek® waveguides

Committed to Sustainability
Declare Listed and Red Free List materials

Compliance
UL Listed, Dry and Damp Locations

5-Year Warranty
Standard 5-year warranty, 50,000 hours

Designed & built in Boston, BABAA Compliant



Designed & Built in
BOSTON



FIXTURE ORDERING

Project Name

Fixture Type

1) FIXTURE DESIGN

PRODUCT	MOUNTING TYPE	LENGTH	DAISY CHAIN	COLOR & FINISH
NRA95				
0.95" Low-Profile Linear LED Rail	NMH No Mounting Hardware SMR Surface Mount Rail SMC Surface Mount Clip SMM Surface Mount Magnet	1FT 1FT Nominal 2FT 2FT Nominal 4FT 4FT Nominal 6FT 6FT Nominal 8FT 8FT Nominal X_ Specify X; Y" [Ask Factory]	NDC No Daisy Chain YDC Yes Daisy Chain	Powder Coated Finishes PMW Matte White (RAL9003) PMB Matte Black (RAL9005) PMG Matte Gray (RAL7001) PCAE Clear Anodized Effect RAL_ Specify RAL# [Ask Factory]

2) LED LIGHT ENGINE

CRI	CCT	OPTIC / BEAM DISTRIBUTION	LUMEN OUTPUT
S80 Std. 80 CRI	22 2200K	LAM Lambertian (Diffuse)	25 250 lm/ft
S90 Std. 90 CRI	27 2700K	BW60 Batwing 60°	35 350 lm/ft
HE80 High-Eff. 80 CRI	30 3000K	BW120 Batwing 120°	50 500 lm/ft
HE90 High-Eff. 90 CRI	35 3500K	FT150 Flattop 150°	75 750 lm/ft
HD95 High-Def. 95 CRI	40 4000K	M50 Medium 50°	100 1,000 lm/ft
SUN Full SunLike	50 5000K	A6040 Asymmetric 60° at 40° Tilt	
SBIOS Static BIOS	3022D 3000K to 2200K Dim-to-Warm	A4560 Asymmetric 45° at 60° Tilt	X_ Specify lm/ft [Ask Factory]
DBIOS Dynamic BIOS	3527D 3500K to 2700K Dim-to-Warm	X_ Specify (Ask Factory)	
TBIOS Tunable White BIOS			
RGBW Red, Green, Blue, White			

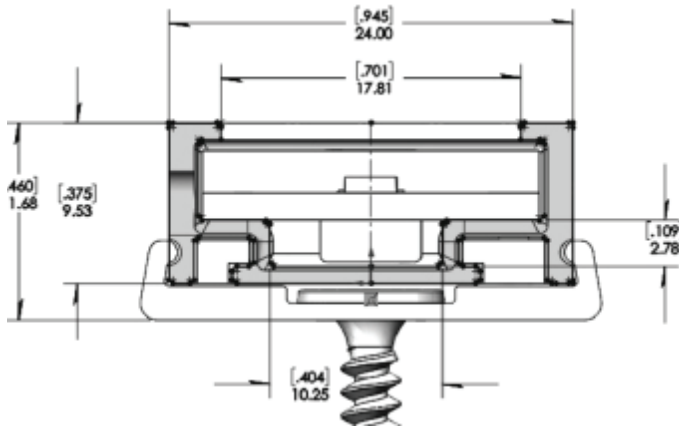
3) DRIVER POWER & CONTROLS

LINE VOLTAGE (AC)	REMOTE DRIVER (POWER)	EMERGENCY BACKUP	REMOTE DRIVER BOX ¹	CONTROL SYSTEM ³
120 120V	FDND Factory Non-Dimming	NN Not Needed	NN Not Needed	NN Not Needed
277 277V	FD01 Factory 0-10V 1% Dim	EMC Emergency Circuit	RLDB² Remote Linear Driver Box (driver included by default)	LUT Lutron
UNV UNV	FD10 Factory 0-10V 10% Dim	EMB Emergency Battery (10 W — Remote)	RX2D² Optional Remote XBox2 Driver, Up to 2 Drivers	COO Cooper
	FDDA Factory DALI 0.1% Dim	X_ Specify Backup	RX3D² Optional Remote XBox3 Driver, Up to 3 Drivers	CAS Casambi
	FDDX Factory DMX Dim		RX5D² Optional Remote XBox5 Driver, Up to 5 Drivers	X_ Specify Control System [Ask Factory]
	FDTR Factory TRIAC Dim			
	LD01 Lutron Hi-Lume 1% Dim			
	LD05 Lutron 5-Series 5% Dim			
	ED00 eldoLED 0-10V 0.1% Dim			
	ED01 eldoLED 0-10V 1% Dim			
	EDDA eldoLED DALI 0.1% Dim			
	X_ Specify Driver [Ask Factory]			

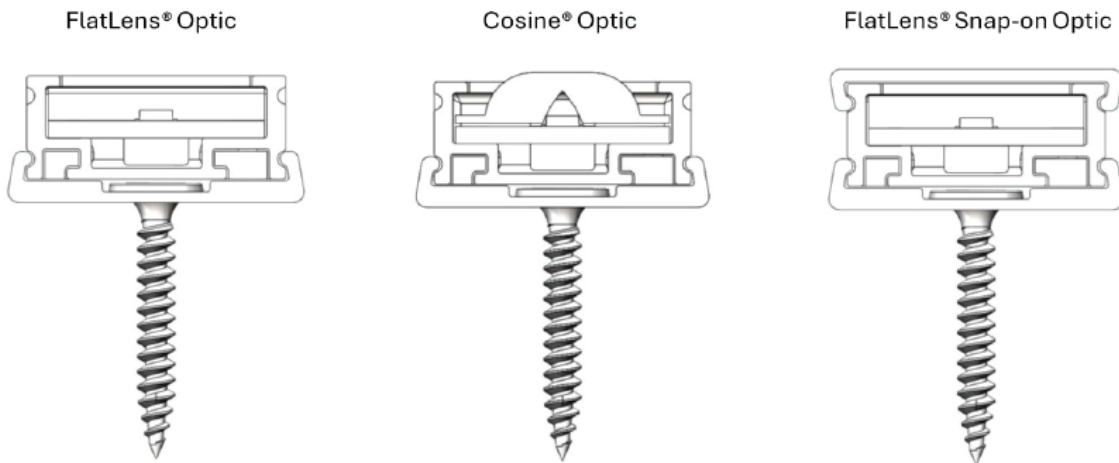
Footnotes: ¹ Remote distance is dependent on driver type, up to 100' (30.5 m). ² Creates a clean and organized power solution for multiple fixture installations. ³ The control system and driver must be compatible.

FIXTURE DESIGN

Dimensions



Cross Sections



FIXTURE FINISHES

Fixture Finish

Housing Colors (Matte Finish)



White (RAL9003)



Black (RAL9005)



Gray (RAL7001)



Clear Anodized Effect



Custom RAL

Housing Material

6063-T5 extruded, recycled aluminum

Mounting Rail or Brackets

Continuous extruded mounting rail or discrete sheet metal brackets



To download BIM (Revit) Files, please click or scan the QR Code.

SMARTBEAM®

The Ultimate Control of Lighting Distributions

SmartBeam makes it easy to specify the exact light required for any architectural space. Available in every XICO product; it is now possible to create truly tailored and engaging lighting that transform spaces, improves visual comfort, and saves energy.

To learn more about our SmartBeam Technology, please click or scan the QR Code.

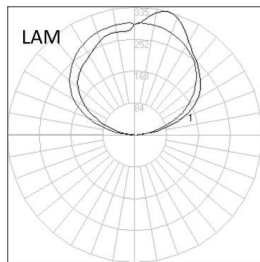


OPTIC	OPTICS - BEAM DISTRIBUTIONS								
	LAM	N45	BW60	BW120	FT150	A6040	A4560	A4070	
FlatLens® Optic* (L)	●	●	●						
Cosine® Optic* (C)				●	●	●	●		

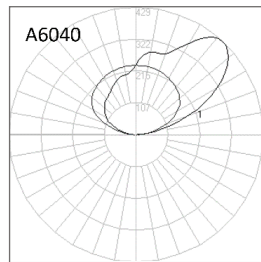
*Patented Fusion Optix technology

PHOTOMETRICS

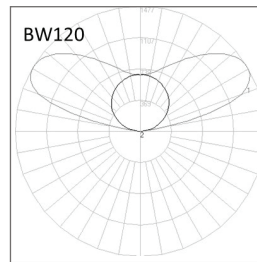
Static White



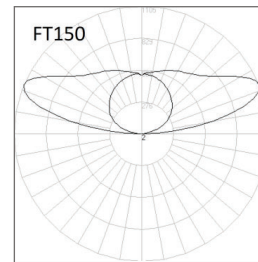
LAM: Lambertian



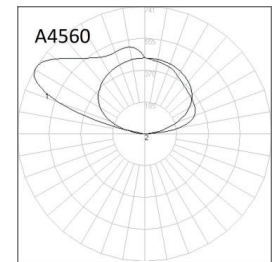
A6040: Asymmetric 60° at 40° Tilt



BW120: Batwing 120°



FT150: Flattop 150°



A4560: Asymmetric 45° at 60° Tilt

Length 24"
LED HE90
CRI/CCT 90+/3500K
Lumens 1,000
lm/ft 500
Watts 6.8
W/ft 3.4
LPW 150

Length 24"
LED HE90
CRI/CCT 90+/3500K
Lumens 1,000
lm/ft 500
Watts 6.8
W/ft 3.4
LPW 150

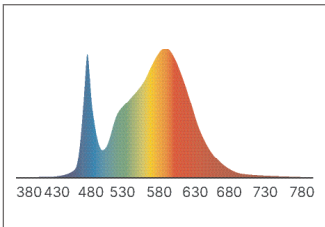
Length 24"
LED HE90
CRI/CCT 90+/3500K
Lumens 1,000
lm/ft 500
Watts 6.8
W/ft 3.4
LPW 150

Length 24"
LED HE90
CRI/CCT 90+/3500K
Lumens 1,000
lm/ft 500
Watts 6.8
W/ft 3.4
LPW 150

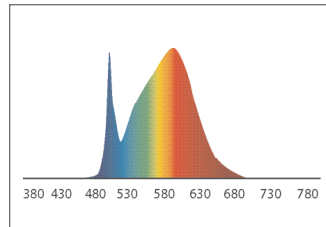
Length 24"
LED HE90
CRI/CCT 90+/3500K
Lumens 1,000
lm/ft 500
Watts 6.8
W/ft 3.4
LPW 150

LED SELECTION GUIDE

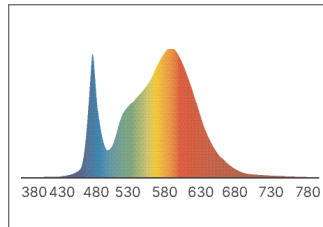
S80: Standard 80+ CRI



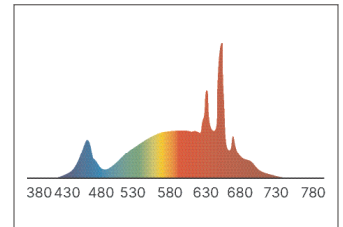
S90: Standard 90+ CRI



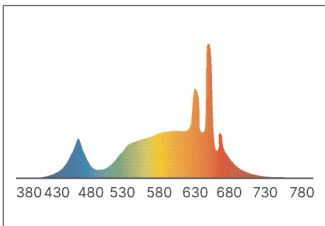
HE80: High-Efficiency 80+ CRI



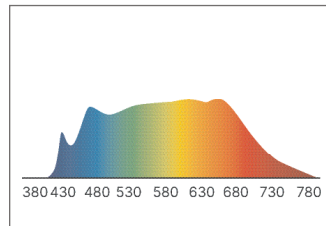
HE90: High-Efficiency 90+ CRI



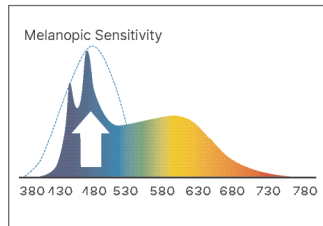
HD95: High-Definition 95+ CRI



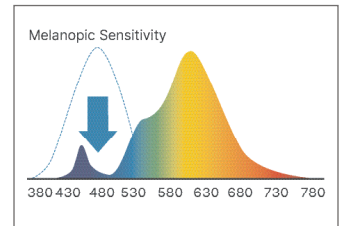
SUN: Full Spectrum "SunLike"



HCD: Human Centric Day



HCN: Human Centric Night



Static White Light (LED Light Engine Only)

CODE	DESCRIPTION	TYPICAL LED DATA							
		CCT	LPW	CRI	CRI R9	TM30 Rf	TM30 Rg	CQS	M/P Ratio
S80	Standard 80 CRI	3500K	190	82.5	7.8	84	96.7	82.5	0.51
S90	Standard 90 CRI	3500K	175	91	54.3	89.3	98.9	89.2	0.55
HE80	High Efficiency 80 CRI	3500K	210	82.1	5.9	83	94.2	81.2	0.52
HE90	High Efficiency 90 CRI	3500K	190	92.2	90	90.7	103.8	92.1	0.56
HD95	High Definition 95 CRI	3500K	163	97.1	95	-	-	-	0.70
SUN	Full Spectrum SunLike®	3500K	130	95	85	-	-	-	-
HCD	Human Centric Day	4000K	155	83	95	-	-	-	0.92
HCN	Human Centric Night	2700K	134	80	-	-	-	-	0.44

LPW Efficacy Conversion Chart (All CCT)

CODE	CCT SELECTED							
	2200K	2700K	3000K	3500K	4000K	5000K	5700K	6500K
S80	-	0.91	0.96	1.00	1.04	1.11	1.11	1.11
S90	-	0.91	0.96	1.00	1.04	1.11	1.11	1.11
HE80	-	0.96	0.99	1.00	1.03	1.04	1.03	1.03
HE90	-	0.91	0.96	1.00	1.04	1.11	N/A	N/A
HD95	-	0.91	0.96	1.00	1.04	1.11	1.03	1.04
SUN	-	0.90	0.92	1.00	1.01	1.07	1.04	1.05
HCD	-	N/A	0.96	1.00	1.04	1.04	1.04	1.04
HCN	-	0.87	0.96	1.00	1.04	N/A	N/A	N/A

LPW Efficacy Conversion Chart (3500K)

S80	S90	HE80	HE90	HD95	SUN
1.00	0.92	1.11	1.00	0.86	0.68

BIOS TECHNOLOGY

Choosing Your BIOS Solution

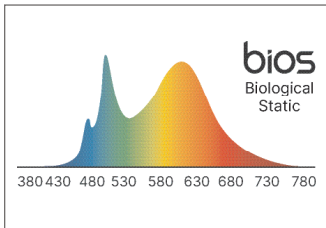
BIOS is offered in four Circadian LED Solutions with BIOS SkyBlue Technology — Biological Static, Biological Dynamic, Biological Tunable, and Biological Dim-to-Warm. BIOS SkyBlue™ Technology includes a blue peak at 490nm that provides an effective daytime circadian signal using standard architectural color temperatures.



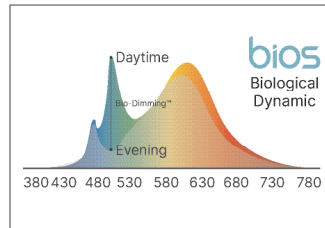
To learn more about BIOS Technology, please click or scan the QR Code.



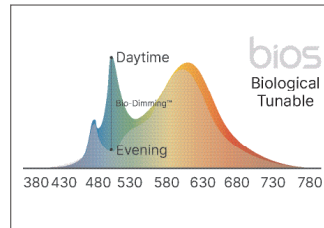
BIOS Static



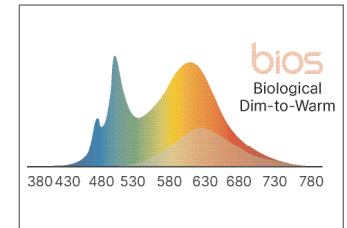
BIOS Dynamic



BIOS Tunable



BIOS Dim-to-Warm



Daytime

No color change when dimmed

Spaces that operate during daytime hours — 7am and 7pm

Daytime & Evening

500K shift when dimmed

Spaces that operate overnight — after 7pm and before 7am

Daytime & Evening

Dims to 2700K

Spaces that operate with overnight shifts — after 7pm and before 7am

Daytime & Evening

Dims from cool to warm

Spaces where people sleep — after 7pm and before 7am

Circadian and Human Centric Light

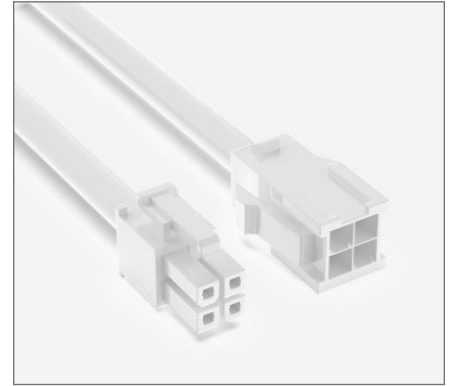
CODE	DESCRIPTION	BIO-DIMMING MODULE TECHNOLOGY GUIDE					
		Driver	Driver Voltage	CCT	Requires BIO-Dimming Module	Lighting Control	BIOS SkyBlue (490nm)
SBIOS	BIOS Static	DIM1	0-10V Dimming to 1% Dim-to-Dark	No CCT Change	No	Intensity Dimming Control Only	Always Present
DBIOS	BIOS Dynamic	BIODIM1	0-10V Intensity Dimming to 1% Dim-to-Dark	500K Shift	Yes	Intensity Dimming & Spectrum Change Controlled Together	Removed with BIO-Dimming
DBIOS-2	BIOS Dynamic (Two Channel)				No	Intensity Dimming & Spectrum Change Controlled Separately	Removed by Adjusting "Spectrum Channel"
TBIOS	BIOS Tunable	ATW / DTW	0-10V Control of Intensity & CCT on Separate 2 Channels / DALI Control of Intensity & CCT on Separate 2 Channels	Dims to 2700K	Yes	Intensity Dimming & Spectrum Change Controlled Together	Removed with BIO-Dimming
TBIOS-2	BIOS Tunable (Two Channel)				No	Intensity Dimming & Spectrum Change Controlled Separately	Removed by Adjusting "Spectrum Channel"
DWBIOS	BIOS Dim-to-Warm	-	-	Dims to 2200K	Yes	Intensity Dimming & Spectrum Change Controlled Together	Removed with BIO-Dimming
DWBIOS-2	BIOS Dim-to-Warm (Two Channel)				No	Intensity Dimming & Spectrum Change Controlled Separately	Removed by Adjusting "Spectrum Channel"



MICRORail 140 Fixture



Connectors (Static White)



Connectors (Tunable White)

FIXTURE POWER & CONTROLS

Voltage

Input Voltage (DC) LED Driver Choice of 36V Constant Current or 24V Constant Voltage (CV) Factory Selected Driver

Emergency Backup

Backup Types Emergency Circuit, Emergency Battery (Remote), and other emergency backups are available

Wiring Typically the Emergency Backup is wired to 48" sections

Power 10 W

Illumination Time 90 minutes

Power Cord
24" Cable Kit

Choice of white and black cord. Standard or specified lengths.

Connector (DC)
Connector Plug Options

Choice of stripped wire or factory connectors.



Control Systems

Remote Drivers (Sold Separately)

Other Factory Non-Dimming, Factory 0-10V 1% Dim, Factory 0-10V 10% Dim, Factory DALI 0.1% Dim, Factory DMX Dim, Factory TRIAC Dim, eldoLED 0-10V 0.1% Dim, eldoLED 0-10V 1% Dim, eldoLED DALI 0.1% Dim, and other drivers are available, consult factory (not all integral)

Lutron Hi-Lume 1% Dimming and 5-Series 5% Dimming

Cooper Compatible driver

Casambi (wireless) Compatible driver

